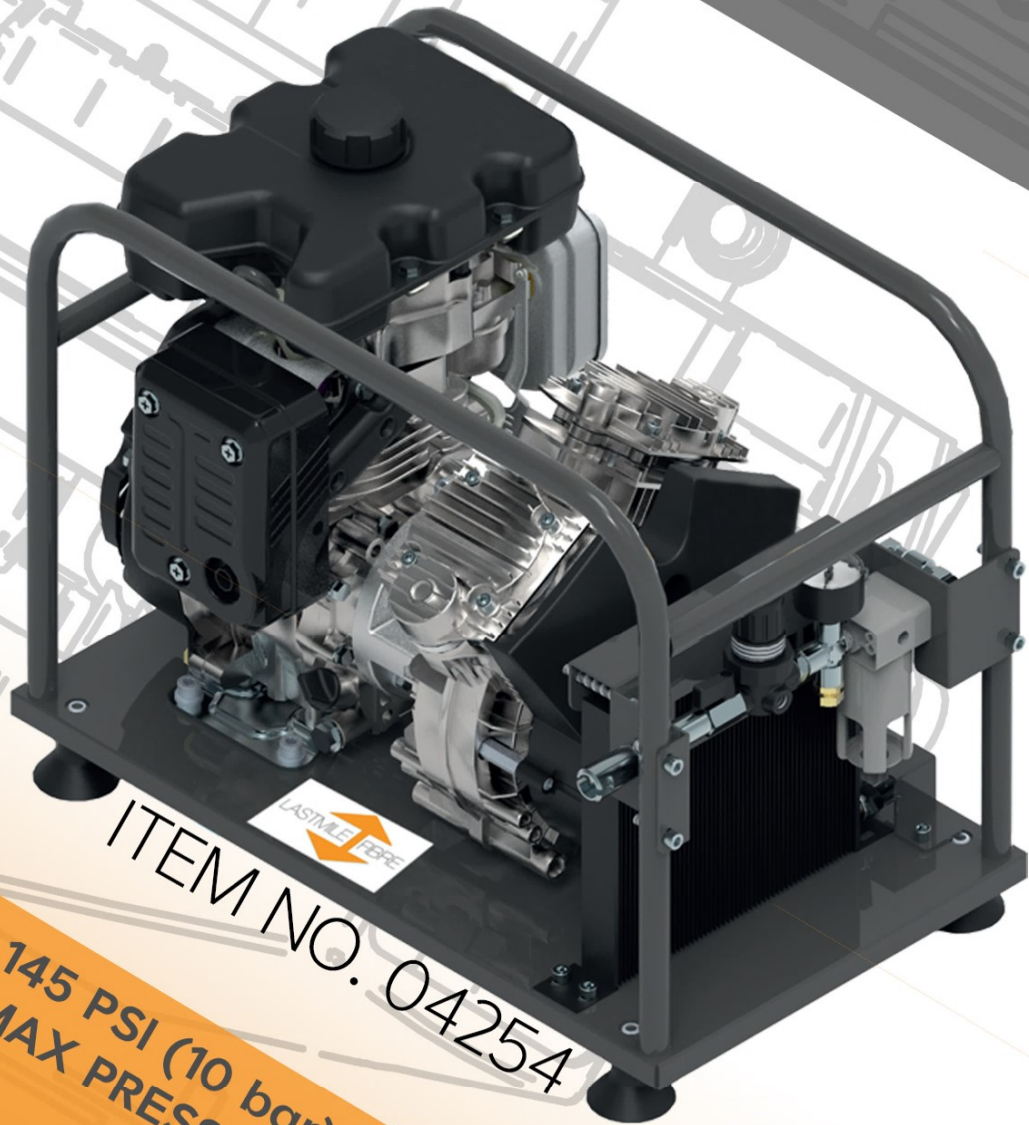


LASTMILE FIBRE



BLOWN FIBRE AIR COMPRESSOR



3HP - 3000rpm
PETROL ENGINE

145 PSI (10 bar)
MAX PRESSURE

9.5 CFM (270ltr/min)
AIR FLOW RATE

ITEM NO. 04254

FEATURES AND BENEFITS

V-Configuration oil-less compressor pump

Oil free air production

Tankless design

Cast aluminium construction

Unique connecting rod system for perfect balance

Heat-treated components for longer life

Auto discharge idling valve

Stainless steel valves

Air cooling radiator with pressure stabilising valve

Heavy Duty flexible reinforced delivery pipe

Full wrap around frame for protection and portability

Supplied with 'instantair' coupler

Condensate filter

Item No	04254
Engine	3 HP / 3000 rpm SUBARU Petrol
Air Flow Rate	9.5 CFM (270 ltr/min)
Maximum Pressure	145 psi (10 bar)
Noise Level	80 dB LpA / 94 dB LwA
Fuel Tank Capacity	3.5 Litre
Weight	25 kg

